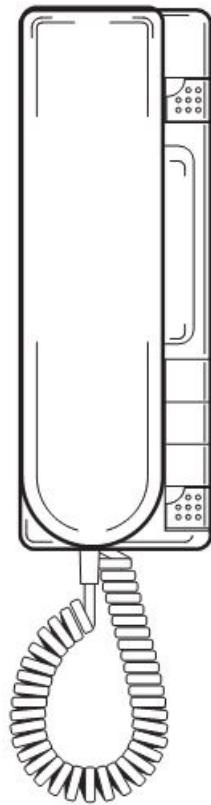


1130/11 Handset installation guide



Important – Please read

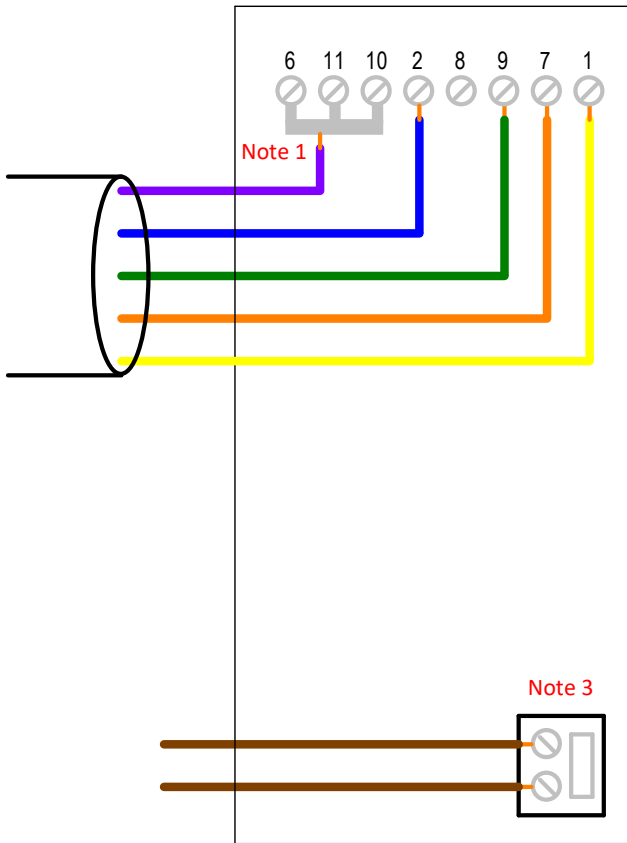
The 1130/11 Handset is designed to replace Urmet 5-Wire 12V AC buzzer type handsets only.

Technical support for this product is available [by e-mail only](#).

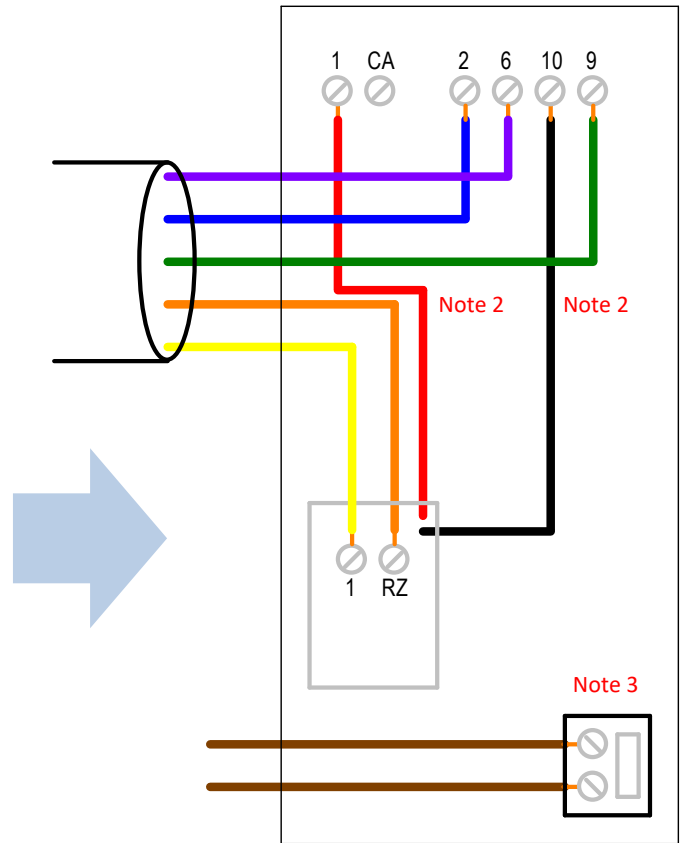
E-mail details of the fault including clear pictures of the connections inside the old handset to technical@urmet.co.uk

Ensure that you have read this manual before contacting Urmet Technical Support

Existing 5-wire Urmet buzzer type handset



Urmet 1130/11 Handset



- Note 1.** Where 6, 10 and 11 are linked together this is a common 0V. Any wires connected here must be connected to 6 in the 1130/11.
- Note 2.** The pre-made connections in terminals 1 and 10 should not be touched.
- Note 3.** Spare button. Volt free normally open contact. Not always used. Any wires connected here must be connected to the corresponding button in the 1130/11. Note that this button CANNOT be used as an on/off switch.

1130/11 Connection functions

- 1 Speech from panel to handset
- 2 Speech from handset to panel
- 6 0V
- 9 Lock release
- RZ Call