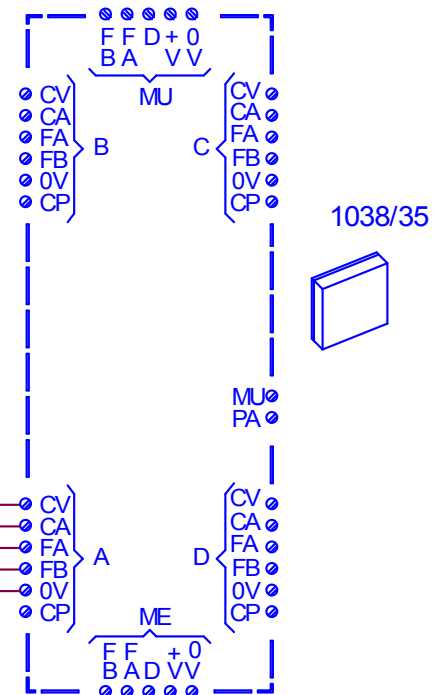
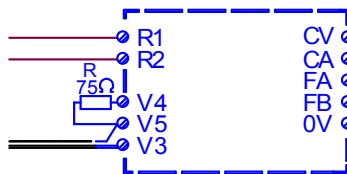
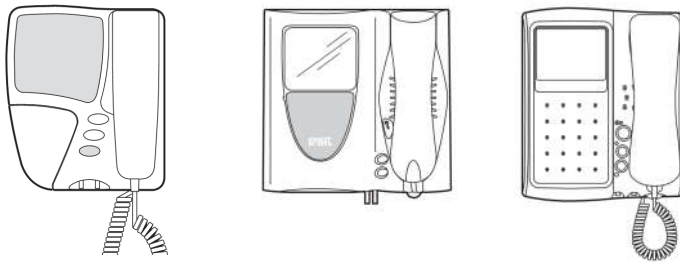
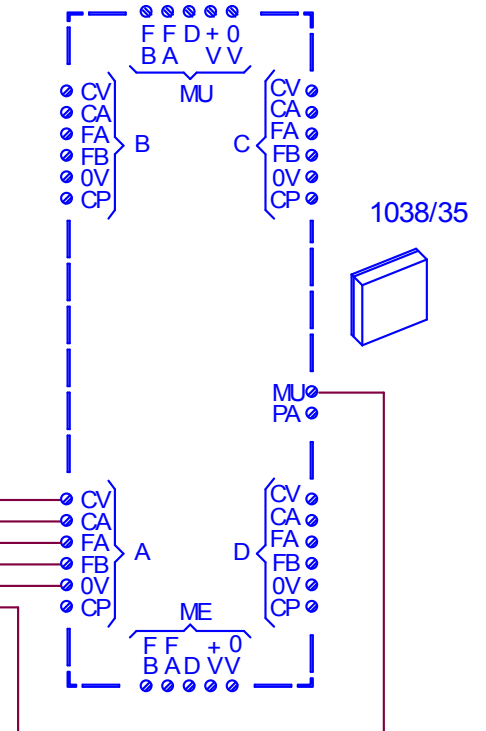
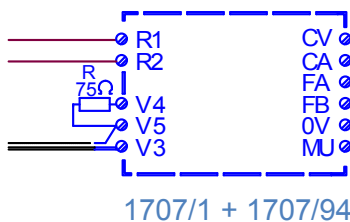
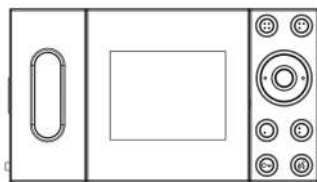


Guide to replacing a Digivoice handset type video monitor with a hands-free type video monitor

Existing handset type monitor



Replacement hands-free type monitor



Note that the replacement hands-free monitor will require an additional connection between **MU** on the 1038/35 Decoder and **MU** on the 1707/94 connection bracket