

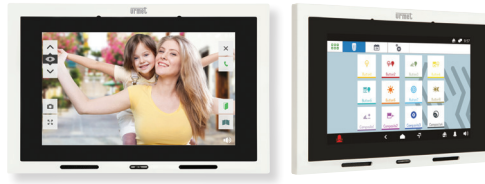


max

7" TOUCHSCREEN IP
MONITOR
MOD.1717/31

- Powered by Android™
- Wall or flush mount
- 2Mpx Camera
- Double input LAN and Wi-Fi
- Integrated management of YOKIS radio building automation
- Possibility of managing building automation by other manufacturers





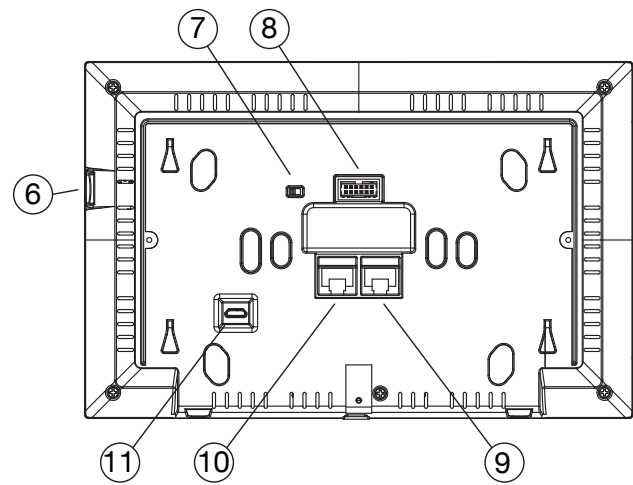
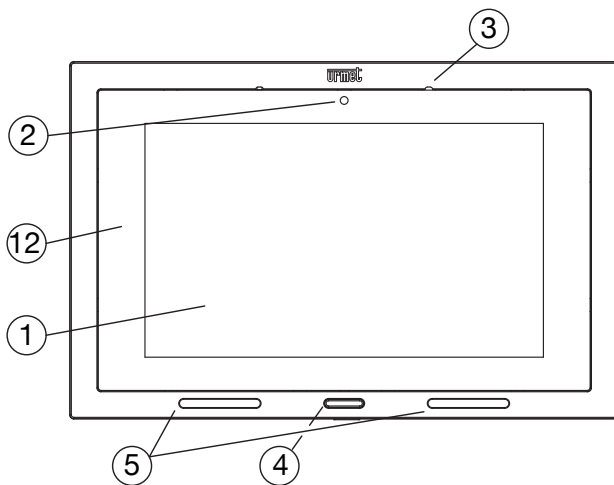
max

7" TOUCHSCREEN IP MONITOR
MOD. 1717/31



Main features:

- Wall or flush mount
- 7" touchscreen display with resolution 1024 x 600
- Backlit Home button for notifications
- Full duplex audio
- 2Mpx Camera
- Double input LAN and Wi-Fi
- MicroSD card slot
- MUTE function with timing
- Integrated management of YOKIS radio building automation
- Management of IperHome building automation
- Output for automatic recall
- Floor call input and alarm input
- Possibility of managing building automation by other manufacturers
- Audio-video call services
- CCTV function on IP video cameras
- Image capture function
- Voice messaging
- Chat with other monitors
- Built in mifare reader
- Music player with possibility of using mp3 files as ring tones
- Brightness adjustment
- Volume adjustment for audio and ring tones
- Customisable background
- Language selection
- Home page selection
- Web browser
- E-mail client
- Name directory
- Video codec H264 and audio codec G711
- Compliant with SIP and RTSP standards
- Dimensions: 208 x 134 x 19 mm - 8,18 x 5,27 x 0,74 in (9 mm - 0,35 in thickness for the flush-mounted version)



COMPONENT DESCRIPTION:

- 1. 7" touchscreen display
- 2. 2 Mpx webcam
- 3. Microphone
- 4. Blue backlit Home button
- 5. Loudspeakers
- 6. Micro SD
- 7. Switch for IperHome bus termination
- 8. 12-way connector for printed circuit, for external connections
- 9. Secondary LAN connector for IPerHome Internet connection (LOCAL LAN PORT)
- 10. IPerVoice LAN connector with POE power unit (DOORPHONE POE PORT)
- 11. Micro USB connector for Eeprom programming (for future developments)
- 12. Mifare proximity key reader



Urban Hive, Skyline 120, Avenue West, Great Notley, Essex CM77 7AA
Telephone: 01376 556010 Fax: 01376 567874
Email: sales@urmet.co.uk web: www.urmet.co.uk